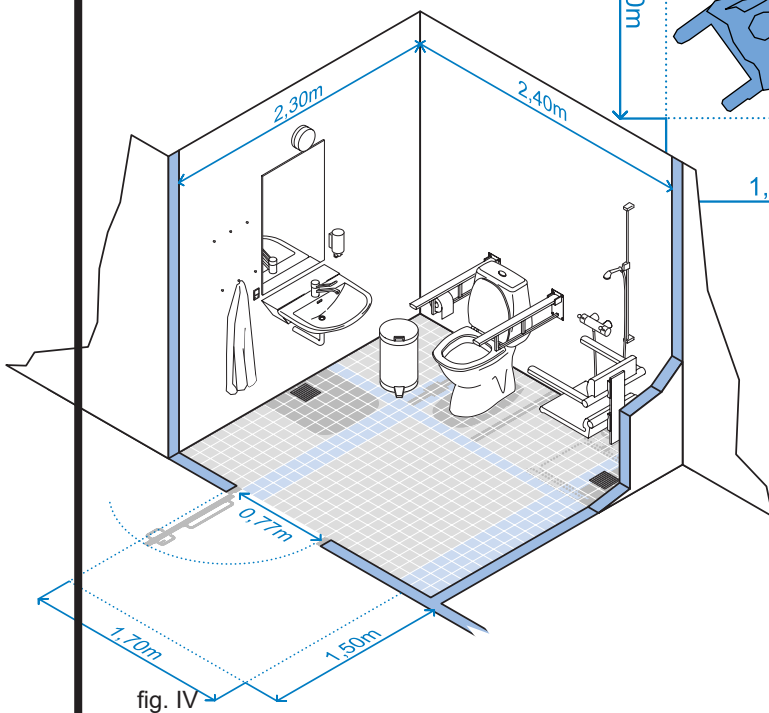
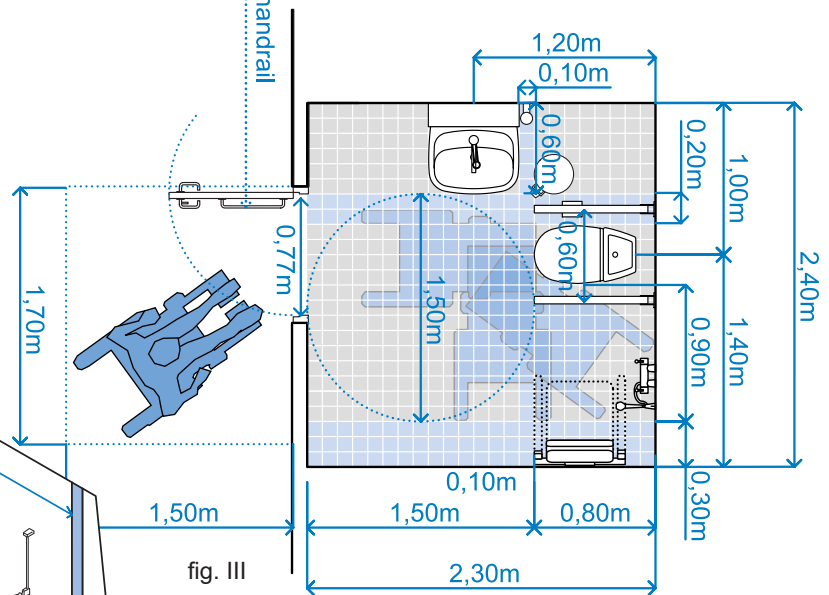
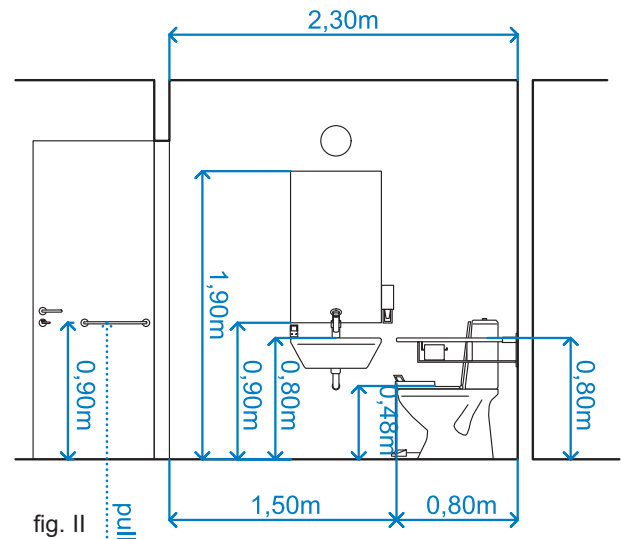
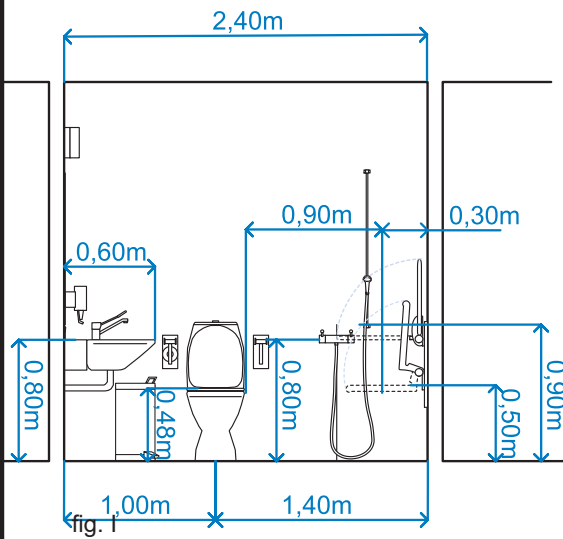


# Check list Toilet and shower facility accessible to persons with disabilities

The Danish  
Association of  
Persons with  
Disabilities



- PTO Revised 2002



The Danish Association of Persons with Disabilities  
a society for everybody

The Committee of Building, Environment and Traffic  
Hans Knudsens Plads 1A  
2100 København Ø  
Denmark

Tlf. (+45) 39 29 35 55  
Fax (+45) 39 29 39 48  
www.dhf-net.dk

# Check list Toilet and shower facility accessible to persons with disabilities

The Danish  
Association of  
Persons with  
Disabilities



## ROOM

The size of the toilet/bath room shall be min. 2.40 x 2.30 m. On account of the turning diameter of 1.5 m of the wheelchair user, a clear floor space of min. 1.5 m from the front of the WC to the opposite wall must be provided for. The washbasin and the WC shall be placed at an angle of 90° to each other, so that – when sitting at the WC – the user will be able reach the washbasin and operate the tap. On the side of the WC opposite the washbasin, a clear floor space of min. 0.90 m shall be provided for. A tip-up shower seat shall be placed on the wall opposite the wall with the washbasin.

## ACCESS

The access shall be without any changes in level. If change in levels occurs outside a facility, a horizontal, plane landing, placed outside the entrance, shall be placed at the same level as the interior floor level of the facility. The size of this landing shall be 1.50 x 1.70 m. A possible change in level from the surrounding areas shall be aligned in the surrounding or by means of a ramp with a max. slope of 1:20. (If changes in levels are necessary, these shall be max. 25 mm.)

## DOOR

Doorways shall have a minimum clear opening of min. 0.77 m (9M). The door shall be smooth running with a handle that is easy to operate. The locking handle (extended type) shall have a shape that is easy to grasp with *one* hand. On the pull side, the door shall be provided with a „pull handle“ mounted 0.9 m above the floor. *In general:* In rooms of this size, the door shall be outward opening for a clear floor space inside the toilet room. The door shall be placed with consideration to the size and layout of the room. At the side of the door at the door handle side, there shall be a free space of min. 0.30 m when the door opens away from you and min. 0.50 m when the door opens towards you. *To operate the door successfully, space must be provided for the wheelchair users to place themselves outside the swing area of the door.*

## FLOOR

The floor surface shall be of a non-skid covering without changes in level.

## WC/WASHBASIN

The WC and washbasin (sink) shall be placed at a 90° angle to each other and with such a distance between the two that – when sitting at the WC – it is possible to operate the water tap at the washbasin.

## WC AND ARM SUPPORTS

WC Height: WCs shall be mounted with the rim surface 0,48 m above the finished floor.

From the front of the WC to the wall where the WC is mounted: 0.80 m.

*Remember:* Min. 0.90 m clear floor space at the side of the WC opposite the washbasin (that is between the WC and the tipped-up shower seat) and 1.50 m clear floor space in front of the WC.

Two tip-up supports without legs shall be placed on both sides of the WC. One provided with a toilet paper holder. Distance between the supports: 0.60 m. Arm support height: 0.80 m above finished floor.

## DUSTBIN AT THE WC

Shall be within reach when sitting at the WC but shall *not* be fixed to the wall. It shall be movable if an assistant needs the space. The lid shall be easy to open and shall be able to remain open by itself.

## WASHBASIN

Height: the counter surface of the wash basin shall be mounted 0,80 m above the finished floor. Distance from the front of the washbasin to the wall where the washbasin is mounted: 0.60 m. A shelf on the same level as the counter surface of the washbasin shall be placed at a possible free space behind the washbasin. Under the washbasin there shall be free height for the knees and feet supports of the wheelchair user. Therefore the drain shall be moved back to the wall. Never use a knee-operated drain valve. The water tap shall be provided with a handle that is easy to operate.

## MIRROR

Lower edge: 0.90 m above the floor.  
Upper edge: 1.90 m above finished floor.

## SHOWER SEAT

It shall be possible to tip-up the shower seat and the arm supports. Height: 0.48 m to the upper edge of the shower seat above finished floor. Two arm supports height: 0.80 m above finished floor. Alternatively, the shower seat may be placed on sideways sliding wall rails for flexible adjustment of the shower seat.

## HAND SHOWER

The shower fittings shall be easy to operate and placed at a height of 0.9 m above finished floor and shall be reachable when sitting on the shower seat. The adjustable shower holder must be adjustable from a sitting position. Adjustable height: 1.00 m – 1.90 m above finished floor. Remember space to put down soap, towel etc.

## LIGHT/ELECTRICITY

The light switch – preferably a plane tangent – shall be placed at the door on the door handle side approx. 1 m above floor. A good even room light and mirror light must be provided for. A possible shaver plug shall be placed approx. 1 m above floor near the washbasin.

## PEGS

1.10 m respectively 1.60 m above finished floor.

## THIS CHECKLIST

is an example of a good layout of a toilet with shower facility for most fully or partly self-managing wheelchair users. In case the size of the room, fixed door placing or the like limits the possibilities for obtaining the optimal solution, we offer advice with alternative layouts. Please be aware that the above instruction applies to a public toilet with shower facility (publicly accessible toilet) to be used by anyone (the Public). When it is a question of toilets/bathrooms in private flats/houses, there are other requirements that to a higher extent consider individual user and assistant requirements.



The Danish Association of Persons with Disabilities  
a society for everybody

The Committee of Building, Environment and Traffic  
Hans Knudsens Plads 1A  
2100 København Ø  
Denmark  
Tlf. (+45) 39 29 35 55  
Fax (+45) 39 29 39 48  
www.dhf-net.dk

## FOR FURTHER INFORMATION PLEASE SEE:

- Danish Standard: DS-3028 „Accessibility for everyone“
- Danish Standard: DS-105 „Outdoor areas for everyone“  
ISBN 87-7310-165-6
- „Building regulation 95 – about accessibility requirements“  
ISBN 87-90346-02-5 or www.clh.dk/br95